



July - September 2007

BERITA

SUBANG

The Official Newsletter of Kelab Golf Negara Subang



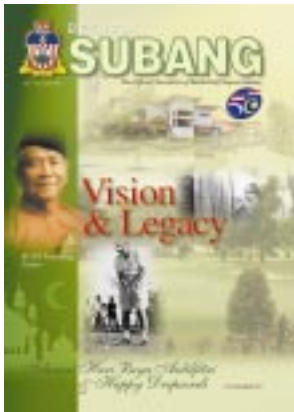
Malaysia 50th Anniversary



*KGNS Founding
Father*



*Selamat Hari Raya Aidilfitri
& Happy Deepavali*



KELAB GOLF
NEGARA SUBANG
Jalan SS 7/2, Kelana Jaya,
47301 Petaling Jaya
P.O. Box 151,
46710 Petaling Jaya
Selangor Darul Ehsan
Tel: 03-78760388
General Fax: 03-78755267
Golf Dept. Fax: 03-78749796
Email: kgns@tm.net.my
Website: www.subanggolf.com

Selamat
Hari Raya
Aidilfitri



Contents

July - September 2007

- 4 **KGNS' Vision**
- 5 **Captain's Note**
- 6 **Course Review: Kelana Course Sultan's Nine Love Thy Course Campaign Launched**
- 7 **Course & Grounds**
- 8 - 9 **Junior Golf**
 - Junior Golf Programme
 - Junior Spotlight: Daniel Loh & Dinie Zikri
- 10 - 11 **Club Updates**
 - Ladies Golf
 - Golf Competition Sub-Committee
- 12 **Golf Diary**
- 13 **Introduction Night**
- 14 **Club News**
- 15 **Social & Recreation**
- 16 **Inter-Club Matches**
- 17 - 19 **Social & Recreation**
- 21 - 24 **Competitions & Results**
- 26 **Golf Updates / KGNS Staff**
- 27 **Club News / Obituary**
- 28 - 29 **Club Directory & Facilities**
- 30 **Affiliated Clubs**

Let's Hear From You!



Have a good suggestion or a story to tell?
If you do, please write to the Editor
at Berita Subang.

The best two letters published in each issue
will earn a RM50 voucher from the Reflexology
Centre. To be a winner, you must include
your name, membership and phone number
with your submission.

If you do not want us to print your name, please
provide a pseudonym.

We may edit your letter for length and clarity.

Lotus Pond by
the Drink Hut in
Kelana Course

KGNS Vision & Mission

Our Vision

To be the premier Membership Golf Club in the Country.

Our Mission

To provide excellent facilities and services at all times.

Our Values

● Team Work

We are committed to working together for the full benefit of KGNS and its members.

● Accountability

We are ethically and morally accountable in our actions to KGNS.

● Members' Focus

All our actions are focused on the interests of the members.

● Heritage

To preserve and enhance KGNS as a National Heritage Golf Club.

● Commitment

Above all, we are committed in all our actions towards achieving the above vision.

Management Committee 07/08

PRESIDENT

YB Dato' Donald Lim Siang Chai
Membership

VICE-PRESIDENT

Dr. Joseph B.J. Soo
Discipline and Competitions

CAPTAIN

Dr. Ismail Hashim
Management & Golf
Deputy Chairman Membership

VICE-CAPTAIN I

Md. Noor Ayob
Club Development & Maintenance
Deputy Chairman Management & Golf

VICE CAPTAIN II

Pattis Naidu
Finance
Deputy Chairman Tender Board

SOCIAL & RECREATION

Hj. Nazri Dato' Mohd Hashim

FOOD & BEVERAGE

Dato' Zainal Azmi Zainal Ariffin

COURSE & GROUNDS

Lau Ang Khim

BUGGIES, CADDIES, DRIVING RANGE & SPORTS DEVELOPMENT

Abdul Majid Md Yusof
Deputy Chairman Discipline

HR/ADMIN & PUBLICATIONS

Hamzah Bachik

AUDIT & SPECIAL TASKS

Mohd Jamal Sulaiman
Deputy Chairman Competitions

LADIES GOLF CAPTAIN

Rosmimiee Abbas

EDITORIAL BOARD

Dr. Ismail Hashim (Advisor)

Hamzah Bachik (Chairman)

Eric Tan

Chandra Perumal

Janet Lee

Sharifah Khatijah

Club Officials

GENERAL MANAGER

Zahid Ariffin Idrus

DEPUTY GENERAL MANAGER

Alice Foong

FINANCE MANAGER

Esther Khoo

GOLF MANAGER

Syed Mohammad Zayed Alsagoff

COURSE SUPERINTENDENT

Shamsul Bahrin

MAINTENANCE SUPERINTENDENT

Azaman Razuki

SENIOR GOLF EXECUTIVE

Norasmah Abdul Majid Taib

EDP EXECUTIVE

Irene Tan

MEMBERSHIP EXECUTIVE

Tengku Emy Zarina

F & B EXECUTIVE

Jufri Kenneth

SOCIAL / RECREATION EXECUTIVE

Pamela Looi



■ Dr. Ismail Hashim

CAPTAIN'S NOTE

Unity is Strength

“What distinguishes and sets us apart from others is, as everyone knows, the KGNS camaraderie when, at tee boxes, we never decline strangers or strays from joining in for a game! It is this tradition of fellowship, of friendliness, a reflection of our Founding Father's vision, which we need to embrace and keep alive. ”

What better way to remember the 50th Merdeka than to remind ourselves of the above national theme and of the close link we have to Bapa Malaysia, YAM Tunku Abdul Rahman, who established Kelab Golf Negara Subang in 1968. Therefore, we as members of KGNS and, accordingly, inheritors of his legacy, are doubly obligated to live up to his inspirational advocacy that **Unity Is Strength** and to his vision for KGNS to be **numero uno**, the premier golf club in the nation.

To cultivate and nurture this **esprit de corps** amongst members, the Management Committee has deliberated and come up with the **KGNS Vision, Mission and Values Statements** that outline our precepts for unity and shape the direction we need to take in aspiring to be a “national heritage club”. The statements, displayed on notice boards and posted on our website to general positive response, stress on intrinsic values that we need to inculcate among ourselves and, as you may note, a key element is **team work**. May I then take this opportunity to call upon members to stand together on issues of common interest and to set aside petty and personal differences for the greater good of KGNS. As the Malay proverb says, “Do not burn the net just because one mosquito is bugging us!”

KGNS is a members' club where, by extension, the facilities and amenities are also easily accessible to our families and friends. Like any golf club of repute, our main focus is to provide for members' needs and their current and/or future expectations, both on and off the course. But what distinguishes and sets us apart from others is, as everyone knows, the KGNS camaraderie when, at tee boxes, we never decline strangers or strays from joining in for a game! It is this tradition of fellowship, of friendliness, a reflection of our Founding Father's vision, which we need to embrace and keep alive.

Kelana Course Sultan's Nine Hole No. 5, 138 metres (par-3)

Blue	: 138 metres
White	: 117 metres
Red	: 97 metres
Index	: 17

A short par-3 where birdies and pars await the accurate golfer. There is water on the right and many golfers, in attempting to avoid the liquid hazard, sometimes send their ball to the sand bunker guarding the left of the putting surface. Club selection on this hole is also important as tee shots that fly over the green are common, necessitating a delicate chip back to the flag. Play to the centre of the large green that slopes from back to front and you will walk away from hole no. 5 with a good score on your card and a smile on your face.

Love
Thy
Course



A two-month long "Love Thy Course" campaign will be launched on October 15, 2007 with the primary aim of inculcating and enforcing the following rules of etiquette in KGNS:

1. **Avoid slow play**
2. **Repair pitch marks on greens**
3. **Replace divots on fairways**
4. **Rake bunkers**
5. **Keep buggies on the buggy track**
6. **Keep the course clean and tidy**

To initiate golfers into the campaign, a month-long induction, or trial period, commenced on September 15.

Notices were also posted at strategic points and marshals were deployed to remind golfers of the campaign and to ensure compliance.

Golfers in breach of the rules will be issued warnings for first-time offences, whereas sub-sequent or repeat offenders will face disciplinary action, including suspension.

Remember, golf is a four hour game.



The Healthier Way To Park A Buggy At A Buggy Track

Fairway Areas



Green Areas



Tee Box Areas





Junior Golf

Abdul Majid Md Yusof
(Chairman - Buggies, Caddies, Driving Range & Sports Development)



Junior Golf Programme

During its tenure, the Management Committee under the presidency of YM Tengku Dato' Shamsul Bahrin, gave the programme a much-needed boost when selected junior golfers were permitted to play in the Club Championships. This raised quite a few eyebrows at the time, particularly the revelation that KGNS had in its midst a pool of young single-handicap golfers!

These days, the torch-bearer (and a passionate one at that!) is none other than the Caddies, Buggies, Driving Range and Sports Development Sub-Committee Chairman, Encik Abdul Majid bin Yusof. In championing the cause, his first move as Junior Golf Programme Sub-Committee back in 2004/2005 was to ensure the availability of a proper syllabus for junior clinics and to encourage participation in all competitions.

With the assistance from MGA official Encik A.S. Khamis, who ran a similar programme in Seri Selangor, who has experience with SportExcel's Junior Circuit, and who is inspired by his offspring's achievements (his daughter started golf at age eight and son Hisham, seven, is now well-known in the KGNS and Klang Valley junior circles), Encik Abdul Majid has initiated the following:

1. An Order of merit roster for junior golfers where, at year's end, the top-ranked three will be rewarded and get to play in the Club Championships.
2. A Junior Elite Squad with personal



coaching on the finer points of the game, supervised by local pro Mr. Aaron Cole. 3. A Klang Valley Junior Golf Circuit, (sanctioned by the MGA and co-supported by KGPA, KRP, RSGC and Montez Golf Club), with weekend fixtures allowing year-round participation rather than during school holidays only.

Junior golf clinics will be held Sundays from 9.30 a.m. to 11.00 a.m. At present the plan for the revised programme is for novitiates who have acquired basic skills to move on to an intermediate group before joining the Elite Squad under a head pro. The vision is that our juniors, flying the KGNS banner, may one day graduate to national level and possibly carve a niche in the international arena!

We urge members to lend full support to the programme while respectfully reminding all parents that aside from techniques, the game instills discipline in children as well as independent thought and comradeship — all key elements for character building.

JUNIOR Spotlight



Daniel Loh Ming Wei,
Age 15 (H'cap 6)

// Aaron has helped to make me physically fit and mentally strong," he remarked, "to participate in golf tournaments. //

Buoyed by encouragement from family (his dad's a social golfer!) and friends Daniel, handicap 16 at end 2004 at age 11 came under the wings of Col. Lim a year later to hone his skills at the game. School, however, took priority so golf was relegated to term holidays and weekends although there was occasion (2 years) to represent Sekolah Menengah Damansara Jaya at golf in MSSM. A recent high was the run, as a junior team participant, in the Club Championship where he drove the longest (291 metres) and was placed 3rd Nearest to Pin.

The Third-Former reckons that the Junior Elite Squad programme under Aaron Cole is a "fantastic" opportunity to improve one's short game, chipping and putting, amongst others.

“Aaron has helped to make me physically fit and mentally strong,” he remarked, “to participate in golf tournaments.”

Daniel is hoping that Aaron will stay on “until I turn pro because this programme has helped to make me what I am today.” Keeping emotions in check is something he is working on but there will be no change in the area of attire – he is still the best dressed junior golfer on the scene!

Citing Adam Scott as his idol because of his “mindset and knows what he can do to beat Tiger Woods”, Daniel has this gem to pass on to future junior golfers – “give priority to all your studies before golf, don’t overstrain and be mentally prepared before any tournament”. What’s next? After SPM, he intends to study golf management but, for now, he needs to knuckle down for the PMR onslaught, for which, Berita Subang wishes him all the best in his exams and his future in golf.



**// Get a proper coach.
Do not give up easily because you
will get frustrated. Find time to
practice, even at home, on your
swing, in front of the mirror. //**

**Dinie Zikri bin Dr. Mohd Zaki,
Age 16 (H’cap 8)**

An early starter at age 6, Dinie laid off at age 9 and 10 when he was handicap 23, at the time, for lack of interest. But he rekindled his love for golf, thanks to the PGA Tour barrage on TV!

A student of Sekolah Menengah Damansara Jaya, where he is also into soccer and participated in the MSSS, he plays 9-hole golf three times a week after school and on weekends.

As a member of the Junior Elite Squad, Dinie says, “...they train us on proper mechanics of swing and the proper mindset during golf. This makes us very competitive especially among the group itself.”

He suggests that the Junior Golf programme be improved with opportunities and encouragement to play more competitions in organisations like SportExcel and so on. By the way,

he finished 2nd Gross during the Klang Valley Circuit 2007 held at KGPA. On home ground he clinched a Junior Monthly Medal.

His prowess at the game notwithstanding, Dinie has set his sights on Engineering as a career choice and hopes to continue playing as a “very competitive amateur golfer”. He names Luke Donald as his favourite golfer because he “does not hit long and is not big-sized. That proves to us that people who do not hit long can still play competitively and still win on the professional tour circuit”.

He has this to say to upcoming junior golfers: “Get a proper coach. Do not give up easily because you will get frustrated. Find time to practise, even at home, on your swing, in front of the mirror.”

Footnote:

Daniel and Dinie express their thanks to Encik Abdul Majid, Chairman of Caddies, Buggies, Driving Range and Sports Development Sub-Committee for organising the Elite programme and for facilitating the participation of juniors in all Club tournaments.

Sports Development Programme

The Sports Development Sub-Committee is pleased to announce that Junior Clinics have been organised for various activities to enable our young members to progress mentally and physically in their chosen sports.

- **Swimming**
- **Tennis**
- **Table Tennis**
- **Squash**

These clinics are for children who already know the basics of the game and wish to further develop their skills. If you are interested, please register at the Reception Counter or contact the Social & Recreation Executive, Pn. Yasmin (Pam) Looi at 03-7876 0388 Ext. 85 for more information.

Ladies Golf Captain & Sub-Committee 2007/2008

Appointed in July 2007, Ladies Golf Captain Rosmimée Abbas heads a 9-member Sub-Committee whose agenda for their term of office includes:

1. Looking after the welfare and interests of all lady golfers in KGNS and liaising with the Management Committee.
2. Organising the inaugural KGNS Ladies Amateur Open in 2008 with invites to foreign and national participants and, possibly, incorporating a "seniors" sections for golfers over 40.
3. Promoting interaction between the "competitive" and "social" lady golfers in KGNS through bi-monthly 9-hole get-togethers, with different themes and mode-of-play, complete with prizes, refreshments and fellowship.
4. Encouraging social golfers to step up their game by participating in monthly medals and/or club competitions and compete against the 'better' players.

Having served MALGA and KGNS in the past, Rosmimée is poised to build on the groundwork set by her predecessors and, with your support, raise ladies golf to a new high in Subang!



Rosmimée Abbas



Hani Abdullah



Irene Hong



Janet Lee



Muna Kassim



Datin Fauziah Nordin



Saleha Othman



Derlie Katzengruber



Siti Khadijah Daud



Low Ai Yun

Ladies Sub-Committee 2007/2008 and Portfolios

Captain	: Rosmimée Abbas
Vice Captain (1) (Course & Ground/Competitions)	: Hani Abdullah
Vice Captain (2) (Sponsorship/Competitions)	: Irene Hong
Hon Secretary (F&B/ House & Maintenance)	: Janet Lee
Hon. Treasurer	: Muna Kassim
Committee Member (Social/Caddies)	: Datin Fauziah Nordin
Committee Member (Kelana Course/Social Golfers)	: Saleha Othman
Committee Member (Sponsorship/Competitions)	: Derlie Katzengruber
Committee Member (Inter-club/Communications)	: Siti Khadijah Daud
Committee Member (Kelana Course/Social Golfers)	: Low Ai Yun

Competitions Sub-Committee

Under the chairmanship of KGNS Vice-President Dr. Joseph Soo Boon Jee, the Competitions Sub-Committee has prioritised integration and fellowship as its focal aims for the ensuing year. To this end, breakfast for golfers will be served at a nominal fee at all weekend morning fixtures commencing August 2007 with the dual purpose of drawing an increase in participants as well as providing a comfortable environment for the opportunity to interact socially before play.

Along similar lines, the Sub-Committee is looking to introduce and incorporate the Bull's Eye novelty event in future club competitions, with participation open to all on a voluntary basis. At forthcoming KGNS inter-club affairs, there will be a concerted effort to improve hospitality both on and off the course for visiting golfers, foreign and domestic, not to mention the deployment of both the Putra and Kelana 18's for two-day matches.

The Sub-Committee, among other issues, has made a resolution that KGNS Juniors will be permitted to play in the next Club Championships scheduled for August 2008. In the upcoming Greensome event, the previous mode of mixed pairings has been changed to same sex partners, that is men will partner men and ladies will partner ladies. In the meantime the Sub-Committee has drawn up the golf diary and relevant budgets for 2007/8 and, for now, wishes you happy golfing!



Dr. Joseph Soo Boon Jee
Chairman



En. Mohd Jamal Sulaiman
Deputy Chairman

Competitions Sub-Committee Office Bearers 2007/8

Chairman	Dr. Joseph Soo Boon Jee
Deputy Chairman	En. Mohd Jamal Sulaiman
Committee Members	Mr. James Lim Mr. Goh Kok Ho Mr. Alex Hong Capt. William Van Geyzel En. Nasrudin Omar Mr. Chooi Chee Chiew Mr. Lau Chee Hong Cik Rosmimée Abbas (KGNS Ladies Golf Captain) Pn. Janet Lee Mr. Chandra Perumal
Ex-Officio	Dr. Ismail Hashim (KGNS Captain)

(Note: The Sub-Committee will meet every 2nd Tuesday of the month)

Committee Members



Mr. James Lim



Mr. Goh Kok Ho



Mr. Alex Hong



Capt. William Van Geyzel



En. Nasrudin Omar



Mr. Chooi Chee Chiew



Mr. Lau Chee Hong



Cik Rosmimée Abbas
KGNS Ladies Golf Captain



Pn. Janet Lee



Mr. Chandra Perumal

October 2007

Date	Event	Format	Course	Time
Fri - 13	Hari Raya Aidilfitri			
Sat - 14	Hari Raya Aidilfitri			
Fri - 26	Senior Golfers Monthly Medal	Strokeplay	Putra	AM
Sat - 27	Greensome 2	Strokeplay	Putra	AM
Sun - 28	Kelana Cup 3rd Qualifying Round	Stableford	Kelana	AM

November 2007

Date	Event	Format	Course	Time
Sat - 03	Ladies Monthly Medal + Junior & Parents Partnership	Strokeplay	Putra	AM
Sun - 04	Putra Cup	Strokeplay	Putra	AM
Thu - 08	Deepavali			
Sat - 10	Ladies Golf Captain's Prize	Strokeplay	Putra	AM
Sun - 11	ABC Monthly Medal	Strokeplay	Putra	AM
Mon - 12	Practice - Selangor Amateur Open	Strokeplay	Putra	AM
Tue - 13	1st Day Selangor Amateur Open	Strokeplay	Putra	AM
Wed - 14	2nd Day Selangor Amateur Open	Strokeplay	Putra	AM
Thu - 15	Final Day Selangor Amateur Open	Strokeplay	Putra	AM
Thu - 22	Senior Golfers Partnership	Stableford	Putra	AM
Sat - 24	KGNS vs. Royal Pahang GC - Men (Home)	Stableford	Putra	AM
Sun - 25	KGNS vs. Royal Pahang GC	Stableford	Putra	AM
Mon - 26	Caddies Annual Golf Championship	Strokeplay	Kelana	AM



December 2007

Date	Event	Format	Course	Time
Sun - 2	Kelana Cup Final	Stableford	Kelana	AM
Mon - 3	KGNS Staff Golf Competition	Strokeplay	Kelana	AM
Sat - 8	Ladies & Juniors Monthly Medal	Strokeplay	Kelana	AM
Sun - 9	ABC Monthly Medal	Stableford	Putra	AM
Mon - 10	KGNS Staff Annual Dinner			
Tue - 11	Birthday of Sultan of Selangor			
Thu - 20	Hari Raya Qurban			
Tue - 25	Christmas Day			
Thu - 27	Senior Golfers Monthly Medal	Strokeplay	Putra	AM
Sun - 30	Juniors Year-End Golf Competition	Strokeplay	Kelana	AM
Mon - 31	New Year's Eve			



Our Founding Father, YTM Tunku Abdul Rahman Putra Alhaj proudly announced the proclamation on the 31st August 1957 at Stadium Merdeka in front of over 100,000 crowd consisting of foreign and local dignitaries and the people of Malaya.

This year, 2007, Malaysia celebrates 50 years of independence. In conjunction with this auspicious occasion, Kelab Golf Negara Subang (KGNS) has decided to organize the 50th Merdeka Golf to rejoice in this Golden Jubilee and to remember our Founding Father, Almarhum Yang Teramat Mulia Tunku Abdul Rahman Putra Alhaj. For without the Tunku's

initiative and perseverance, KGNS would not have existed.

Proceeds from this charity golf event will go to:-

1. Yayasan DiRaja Sultan Mizan
2. Malaysian AIDS Foundation
3. Mercy Malaysia - Malaysia Medical Relief Society
4. Majlis Kanser Nasional (MAKNA)

A maximum number of 120 golfers will be accommodated on the Putra Course and we encourage all members to support this Charity Golf event in any way possible.

Watch out for more details on the Notice Board.

Introduction Night

17 ordinary members, comprising four who are newly-enrolled and 13 upgraded from the junior ranks, were inducted into the KGNS family during the Introduction Night on July 30.

The evening's programme began with the time-honoured ritual of a welcoming presentation of the members by their proposers and/or seconders to the Management Committee.

In his welcoming address, President Y.B. Dato' Donald Lim reiterated that KGNS' reputation as a family club requires "every effort" by all "to foster good comradeship". He remarked that of the 204 golf clubs nationwide the two most difficult to join, by virtue of exclusivity, are KGNS and RSGC. As such, the respectability that comes with membership also carries the responsibility to "keep up the good name of KGNS", which owes its success largely to the support and patronage of its membership.

After a formal introduction of the Management Committee, dinner was next on the agenda, concurrent with a video presentation on KGNS, its management line-up, rules and regulations, the varied sports and social activities, facilities and amenities available to members and their families.



Heritage

To preserve and enhance KGNS as a National Heritage Golf Club.

Latest Club Affiliation



Song Be Golf Resort, Vietnam

We are pleased to inform members that KGNS has signed an affiliation agreement with Song Be Golf Resort, Vietnam, effective 1 September 2007. The address is:

Song Be Golf Resort
77 Binh Duong Boulevard, Lai Thieu Townlet,
Thuan An District, Binh Duong Province,
S.R. of Vietnam.

Terms and Conditions

1. Visiting members must produce a current membership card and/or a Letter of Introduction and a valid Handicap Card.
2. Reciprocal golf playing rights are not restricted to any number in a calendar year.
3. Visiting members may invite up to a maximum of three (3) guests each visit by paying the pre-vailing guest fee rate.
4. A flat rate for the green fee (18 Holes) will be charged as follows:-

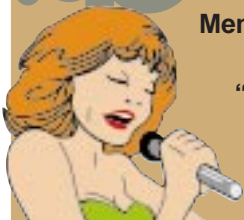
Weekdays USD25.00
Weekends USD70.00



Upcoming Events

October

19/10/07
Members' Night
"Paper Dolls Nite"



November

04/11/07
Junior Tennis Year End Medal



December

25/12/07
Members' Night "Santa's Nite"
 31/12/07
New Year's Eve Dinner & Dance 2007



Note:

Monthly Karaoke Nite will fall on every last Saturday of the month.





Social & Recreation

Hj. Nazri Dato' Mohd Hashim
(Chairman - Social & Recreation)



Poolside Evenings

Remember the fun evenings we had at the poolside not so long ago when families and friends used to gather for barbeques and movies on weekends? The Social and Recreation Committee is looking to bring back those good old days and, this time around, the revival will include the setting up of a few stalls offering your favourite hawker fare.

However, as in any club activity, we will be counting on your support and patronage to make a go of it. Therefore, before taking the next course of action, we would like to know how you feel about the project so that we can gauge the response and, accordingly, feasibility of the proposed event.

Please write or call the Social and Recreation Executive, Ms. Pamela Looi at 03-7876 0388 Ext 85 with your views and suggestions.



KGNS Charity Care Drive

Good news! KGNS' eager-ness to share our good fortune with those less fortunate and bring a happy smile to many faces is well known. As such, the Social & Recreation Sub-Committee has worked hard to contact a few homes for under-privileged children and old folks around Petaling Jaya and Klang Valley who are receptive to our need to generously donate our second hand goods.

These homes are looking forward for your contributions in terms of food products, clothes, toys and even books which can still be used. It will enable you to clean out your cluttered closets while bringing much benefit to others. Any excess items will be re-distributed to other homes which need these valuable goods.

To make it convenient for our generous members, we have placed a special box at the Clubhouse. For those of you who would like to donate your old electrical goods (TV's or microwave oven's still in working order), please do not hesitate to contact the Social & Recreation Executive Pn. Yasmin (Pam) Looi at 03-7876 0388 ext. 85. Other valuable donations would be consumables like powdered milk, Milo, soap, talcum powder and so on.

Let us show **We Care** and give a little back to society . . . the KGNS way!

KGNS vs. Royal Johor Country Club (Away)



A KGNS contingent of 27 pairs (men 18, ladies 9) captained by F&B Sub-Committee Chairman Dato' Zainal Azmi Zainal Ariffin, trekked south for its annual inter-club fixture with Royal Johor Country Club (RJCC). Leaving just after daybreak on September 1st, the group arrived on time for a very warm reception, followed by lunch and 18 holes of golf!

Lulled, we suspect, by the more-than-cordial southern hospitality and feted with a great lunch, our host made short work of us as we succumbed to a 3-15 defeat by RJCC! Aside from the outcome, the other little dampener was that RJCC could only field 3 ladies against our 9 pairs.

Later in the evening, at the dinner-cum-prize giving presentation, we were again treated to a sumptuous meal and a whole lot of good fellowship!

Young as the night was, we had to call it a day and head back to our lodgings for some early shut-eye, in readiness for our next encounter — across the Causeway!

KGNS vs. Jurong Country Club, Singapore (Away)

Assembling after breakfast, the KGNS squad, now under the lead of Mr. Lau Ang Kim, Course and Grounds Sub-Committee Chairman, travelled further south (or rather southwest) to Singapore and Jurong Country Club (JCC), in particular, for the annual JCC-KGNS get-together. Well received at arrival, we were just as impressed by the club premises and its general environment.

At golf, we were equally matched, at least in numbers, man to man and lady to lady, but not so when the final count was tabulated – JCC 19 KGNS 8! So much for the “strategy” to have the ladies tee off first whilst the men figured out a game plan!

We are inclined to attribute our hosts' triumph to “home advantage”, “local knowledge” and what-have-you but, in the final reckoning, it was all about outreach, to friends across the straits, of building bridges (*titián muhibbah*) and camaraderie through golf!



Merdeka Nite



The annual August Members' Night with its distinctive 'Merdeka' theme was held at Bilik Buaya with a special significance on August 30 to celebrate the landmark 50th year of Malaysia's independence. KGNS Vice Captain 1, En. Md. Noor Ayob, together with the Chairman of Social & Recreation, Hj. Nazri Dato' Mohd Hashim, and the Sub-Committee members, were in attendance to lead the assembly in ushering in the auspicious day by singing the national anthem 'NEGARAKU' followed by three resounding cheers of 'MERDEKA' and the song '31st Ogos 1957' by the late Sudirman while waving the 'Jalur Gemilang' at the stroke of midnight!



Our Vice Captain 1 and Social & Recreation Chairman then jointly officiated the event by cutting a 'Merdeka' cake which was later distributed to all members in the house. To our delight, a light meal and supper were also serve on-the-house. On hand to provide the evening's entertainment was none other than our resident band, Knight Crystals.

We are indebted to the Vice Captain 1, various Sub-Committees and all members who turned out in solidarity and support of the festivities. Also, for the record, a special thanks to Menangfax for sponsoring the 'Merdeka' cake.



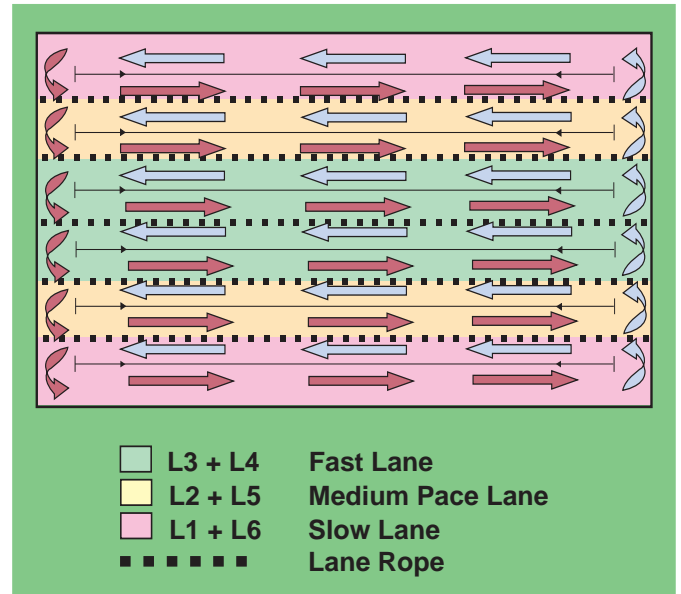
New Swimming Rules & Guidelines

Following a couple of incidents highlighted by concerned members, the Committee feels it is time to lay down some guidelines to encourage proper use and respect of the pool facilities to prevent further incidents and accidents.

In order to maximise usage of the main pool, swimmers are advised to swim in their own lanes (lanes for short). Swimmers who choose to swim between two lanes are kindly advised to swim in the middle of two lanes. By doing so our 50 meter six lane pool can accommodate 13 swimmers at any one time, without any untoward accidents, such as swimming into someone's path, thus knocking into one another.

Swimmers who need to take a breather in between swims are advised to swim along the edges of the pool so that they can rest at the edge along the side of the pool.

In future, if the pool becomes more crowded, other methods of pool usage will be implemented. One of the methods is to identify lanes as 'fast', 'medium pace' and 'slow' lanes, with lane ropes to separate lanes and to enable swimmers to swim in circuit in specific lanes according to his/her own pace.



This method of pool usage would be implemented when more than 13 swimmers patronise the pool at one time.

For now, swimming according to lanes and in the middle of two lanes will suffice, since so far we seldom have more than 12 swimmers plying up and down the pool at any one time.

Happy Swimming!

KGNS Karaoke Closed Competition 2007

Held on Saturday, July 28 for the first time at the Golfers' Terrace, the KGNS Karaoke Closed Competition showcased the home-grown singing talents of 21 Soloists and 4 Duets. The event was a resounding success with fans and supporters packed into the venue to cheer on their favourites as they crooned their hearts out to both the applause of the crowd and the appraisal of the judges. The latter, a panel of professionals invited for the occasion, had a tough time deciding on the eventual winners.

Shahwal Ahmad, whose rendition of 'Ayafl' dedicated to his late father, captured the hearts of the audience to walk away with the Champion title in the Solo category. In the Duet category, the talented team of best friends Imran Ismail and Syed Zafilen impressed the judges with a splendid performance as they rocked their way to the top with 'Gosok'.

As an added bonus, winners of the respective categories will represent KGNS at the 15th Inter-Club Karaoke Competition on 8 September 2007 hosted by the National Press Club.

Solo Category

1. Shawal Ahmad
2. S.K. Bhadra
3. Lokman Hakim

Duet Category

1. Imran Ismail and Syed Zafilen
2. S.K. Bhadra and Tg Datin Anne

We take this opportunity to thank the judges, En. Ahmad Tamimi Siregar, En. Adam Malik Ismail, Mr. Allan Gallyot and En. Hadi Hassan for their time and invaluable contribution to the event and to all the participants who helped make it a memorable and successful affair.

Terima Kasih to all!



**A, B & C Medal (Strokeplay)
September 9 (Sun), Putra Course - Morning**

Best Gross

Pos.	Winner	H'cap	Score
1st	Zairul Hisham Dato' Zubir	4	78 ocb
2nd	Mahrome Mohamad	5	78

A Medal

Pos.	Winner	H'cap	Score
1st	Dr. Joseph B.J. Soo	10	70
2nd	Peter Reeves	9	71
3rd	Kamaruddin Mat Yunus	11	72 ocb

B Medal

Pos.	Winner	H'cap	Score
1st	Dr. Krishnamoorthy	17	66 ocb
2nd	Dato' Nik Mohammad	18	66 ocb
3rd	Dato' Zainal Azmi	17	66

C Medal

Pos.	Winner	H'cap	Score
1st	Hanipah Yop	19	70 ocb
2nd	Choo Yoon Seong	20	70
3rd	Dr. Loh Tak Seng	22	71



**Thank You For
Making Us Proud**

Congratulations to our KGNS Club Team for emerging Champion in the Royal & Sun Alliance National Inter-Club Team Championship held at Kelab Rahman Putra on August 8, 2007.

**Ladies Monthly Medal
Junior Bi-Monthly Medal (Stableford)
September 8 (Sat), Kelana Course - Morning**

Ladies

Pos.	Winner	H'cap	Points
1st	K. Ederlina	15	32 ocb
2nd	Hani Abdullah	16	32
3rd	Datin Salmah Long	16	29 ocb

Juniors

Pos.	Winner	H'cap	Points
1st	Ashraf Ahmad Shakil	6	36
2nd	Md Imran Shafiq	12	34
3rd	Daniel Loh	6	32



**Inter-Club Match (Ladies)
RSGC vs. KGNS (Home)
September 7 (Fri), Kelana Course - Morning**

RSGC 7 KGNS 19

Best Overall Pair

	H'Cap	Points
KGNS Datin Fauziah Nordin	18	} 41
Alyah Tan	12	

RSGC Team

Pos.	Winners	H'cap	Points
1st Pair	Ann Chong	23	} 39
	Sim Kok	23	
2nd Pair	Rosie Dewak	20	} 38
	Zuraidah Ismail	22	
3rd Pair	Yoko Kondo	20	} 37
	Ikuko Kato	21	

KGNS Team

Pos.	Winners	H'cap	Points
1st Pair	Wan Roziah	22	} 40 ocb
	Viji	15	
2nd Pair	Rosmimiee Abbas	16	} 40 ocb
	Tunku Datin Annie	16	
3rd Pair	Low Ai Yun	25	} 40
	Noraini Yaacon	12	

**Senior Golfers Monthly Medal
September 6 (Thurs), Putra Course
Morning**

Best Gross

	H'Cap	Score
Winner James Lim	10	80

A Medal

Pos.	Winner	H'cap	Nett
1st	Mahrome Mohamed	5	65
2nd	Nasrudin Omar	7	69
3rd	Kamarudin Mat Yunus	11	71

B Medal

Pos.	Winner	H'cap	Nett
1st	Kamaluddin Singah	18	68
2nd	Ramli Arshad	14	69
3rd	Ahmad Murad Jailani	14	70 ocb

C Medal

Pos.	Winner	H'cap	Nett
1st	Tengku Na'aim		
	Tengku A. Aziz	21	68
2nd	Adham Abdullah	23	69
3rd	Hanipah Yop	19	70



Competitions & Results

A, B & C Medal (Strokeplay) September 9 (Sun), Putra Course - Morning

Best Gross

Pos.	Winner	H'cap	Score
1st	Zairul Hisham Dato' Zubir	4	78 ocb
2nd	Mahrome Mohamad	5	78

A Medal

Pos.	Winner	H'cap	Score
1st	Dr. Joseph B.J. Soo	10	70
2nd	Peter Reeves	9	71
3rd	Kamaruddin Mat Yunus	11	72 ocb

B Medal

Pos.	Winner	H'cap	Score
1st	Dr. Krishnamoorthy	17	66 ocb
2nd	Dato' Nik Mohammad	18	66 ocb
3rd	Dato' Zainal Azmi	17	66

C Medal

Pos.	Winner	H'cap	Score
1st	Hanipah Yop	19	70 ocb
2nd	Choo Yoon Seong	20	70
3rd	Dr. Loh Tak Seng	22	71



Heritage
To preserve
and enhance
KGNS as a
National
Heritage
Golf Club.



Thank You For Making Us Proud

Congratulations to our KGNS Club Team for emerging Champion in the Royal & Sun Alliance National Inter-Club Team Championship held at Kelab Rahman Putra on August 8, 2007.

Ladies Monthly Medal Junior Bi-Monthly Medal (Stableford) September 8 (Sat), Kelana Course - Morning

Ladies

Pos.	Winner	H'cap	Points
1st	K. Ederlina	15	32 ocb
2nd	Hani Abdullah	16	32
3rd	Datin Salmah Long	16	29 ocb

Juniors

Pos.	Winner	H'cap	Points
1st	Ashraf Ahmad Shakil	6	36
2nd	Md Imran Shafiq	12	34
3rd	Daniel Loh	6	32



Inter-Club Match (Ladies) RSGC vs. KGNS (Home) September 7 (Fri), Kelana Course - Morning

RSGC 7 KGNS 19

Best Overall Pair

	H'Cap	Points
KGNS Datin Fauziah Nordin	18	} 41
Alyah Tan	12	

RSGC Team

Pos.	Winners	H'cap	Points
1st Pair	Ann Chong Sim Kok	23	} 39
2nd Pair	Rosie Dewak Zuraidah Ismail	20	
3rd Pair	Yoko Kondo Ikuko Kato	20	} 37
		21	

KGNS Team

Pos.	Winners	H'cap	Points
1st Pair	Wan Roziah Viji	22	} 40 ocb
2nd Pair	Rosmimée Abbas Tunku Datin Annie	16	
3rd Pair	Low Ai Yun Noraini Yaacon	25	} 40
		12	

Senior Golfers Monthly Medal September 6 (Thurs), Putra Course Morning

Best Gross

	H'Cap	Score
Winner James Lim	10	80

A Medal

Pos.	Winner	H'cap	Nett
1st	Mahrome Mohamed	5	65
2nd	Nasrudin Omar	7	69
3rd	Kamarudin Mat Yunus	11	71

B Medal

Pos.	Winner	H'cap	Nett
1st	Kamaluddin Singah	18	68
2nd	Ramli Arshad	14	69
3rd	Ahmad Murad Jailani	14	70 ocb

C Medal

Pos.	Winner	H'cap	Nett
1st	Tengku Na'aim Tengku A. Aziz	21	68
2nd	Adham Abdullah	23	
3rd	Hanipah Yop	19	70



Competitions & Results

Inter-Club Match (Co-Host)

SGSM vs. KGNS

August 26 (Sun), Putra Course - Morning

SGSM 22 KGNS 38

Best Overall Pair

		H'Cap	Points
SGSM	James Anthony Chong	20	} 49
	Johnson Tan	17	

SGSM

Pos.	Winners	H'cap	Points
1st Pair	Harry Ng Kim Fan	15	} 43 ocb
	Dr. Kok Tack Seng	18	
2nd Pair	Wee Eng Leong	18	} 43 ocb
	Ng Ah Sang	16	
3rd Pair	Daimon Lee	21	} 43
	Col (r) Zainal Abidin Bda	24	

KGNS

Pos.	Winners	H'cap	Points
1st Pair	Dr. Ismail Hashim	15	} 48
	Dato' Zainal Azmi	17	
2nd Pair	Bob Chuah	16	} 46
	Lee Eng Eng	22	
3rd Pair	Subramaniam Shankar	22	} 45
	Shahul Hamid	16	

Wooden Spoon

Club	Winner	H'cap	Points
SGSM	Singhara Singh	24	} 28
	Hj. Mohd Haris Abdullah	22	
KGNS	Dato' Abu Kassim Tadin	16	} 34
	Hafidz Nurudin	11	



Tun Hussain Onn Trophy (Strokeplay)

August 25 (Sat), Putra Course - Morning

Overall Nett	H'cap	Score
1st Tang Yit Han	21	71 ocb
2nd Polen Leong	16	71
3rd Jennifer Loh	18	73 ocb

Senior Golfers Monthly Medal (Stableford)

August 16 (Thurs), Putra Course - Morning

A Medal

Pos.	Winner	H'cap	Points
1st	Yusoh Hashim	12	37
2nd	Nasrudin Omar	8	35

B Medal

Pos.	Winner	H'cap	Points
1st	Muhd Zain Muhd Yusof	14	39 ocb
2nd	Zainal Abidin Ismail	15	39
3rd	Harith Ibrahim	18	38

C Medal

Pos.	Winner	H'cap	Points
1st	Abdullah P. Ibrahim	21	40
2nd	Kamaluddin Singah	19	36 ocb
3rd	Yeo Hock Keng	20	36 ocb

A, B & C Medal (Stableford)

August 12 (Sun), Putra Course - Morning

A Medal

Pos.	Winner	H'cap	Points
1st	Mohd Jamal Sulaiman	10	42
2nd	Abu Bakar Wahid	12	40
3rd	Liyackat Ali	9	39 ocb

B Medal

Pos.	Winner	H'cap	Points
1st	Dato' Zainal Azmi	17	48
2nd	Mahmud Derani	17	41
3rd	Syed Murtadha	14	40 ocb

C Medal

Pos.	Winner	H'cap	Points
1st	Dr. Loh Tak Seng	23	42
2nd	Mohd Razali Amin	20	41
3rd	Hamdan Mohd Salim	19	40

Inter-Club Match (Home)

SIGC vs. KGNS (Stableford)

August 18 (Sat), Putra Course - Morning

SIGC 4 KGNS 26

Overall Winner	H'cap	Points
Falziah Idrus	10	} 45
Ederlina K.	16	

SIGC

Pos.	Winners	H'cap	Points
1st	Yam Tunku Puteri	22	} 44
	Norani Sulaiman	26	
2nd	Ong Siew Moi	17	} 42
	Lee Siew Hong	23	
3rd	Ito Mat Som	12	} 36 ocb
	Angela Ooi	27	

KGNS

Pos.	Winners	H'cap	Points
1st	Rosmimiee Abbas	17	} 43 ocb
	Datin Johariah	25	
2nd	Chan Kwai Lim	20	} 43
	Carol Yeoh	23	
3rd	Maggie Kok	14	} 41
	Alice Chooi	18	



Inter-Club Match (Home)			
RJCC vs. KGNS (Stableford)			
August 4 (Sat), Putra Course - Afternoon			
RJCC	12	KGNS	24
Best Overall Pair		H'cap	Points
KGNS	Anthony Narayanan	15	} 46
	T.A. Chua	18	
RJCC			
Pos.	Winners	H'cap	Points
1st Pair	Chee Teck Son	16	} 45
	Y.F. Watt	18	
2nd Pair	Ishak Samsuddin	13	} 43
	Noordin Mohd Noor	16	
3rd Pair	Najmuddin Sockin	13	} 40
	Hj. Mohd Sofian Yassin	13	
KGNS			
Pos.	Winners	H'cap	Points
1st Pair	Dr. Ismail Hashim	15	} 45
	Dato' Zainal Azmi	17	
2nd Pair	Pattis Naidu	9	} 43
	Kuldip Seine	14	
3rd Pair	Abd Rashid Harun	12	} 42
	Eddie Chew	13	
Wooden Spoon			
Club	Winner	H'cap	Points
RJCC	Manjit Abdullah	14	} 33
	Rajinder Singh	20	
KGNS	Jimmy Kuk Yau Jim	23	} 36
	Abdullah M. Said	20	



Inter-Club Match (Home)			
KGNS vs RSGC			
July 29 (Sun), Matchplay (Stableford)			
KGNS	21	RSGC	39
Overall Winner		H'cap	Points
KGNS	Dato' Zainal Azmi	13	} 46
	Nasrudin Omar	6	
RSGC			
Club	Pos. Winners	H'cap	Points
1st	Chan Peng Sun	14	} 44
	Peter Lai	19	
2nd	Ronald Lee	14	} 42
	J.B. Lopez	20	
3rd	Lau Chee Kein	10	} 41
	Shahrir Roose	14	
KGNS			
Club	Pos. Winners	H'cap	Points
1st	Leow Kai Chien	15	} 43
	M H Tan	17	
2nd	V. Ramalingam	8	} 42
	Tam Chiew Seng	3	
3rd	Lim Boon Ka	14	} 41 ocb
	Mohd Shah	21	
Subang Lychee			
Club	Winners	H'cap	Points
RSGC	Wai Wah Kwan	23	} 30
	Jimmy Low	16	
KGNS	Jilani Mirza	16	} 30
	Faiz Aly	20	



Ladies Monthly Medal			
August 3 (Fri), Putra Course – Morning			
Overall Gross			
Pos.	Winner	H'cap	Score
1st	Irene Hong	5	80
Silver Division			
Pos.	Winner	H'cap	Score
1st	Alyah Tan	13	69
2nd	Datin Maria Jadi	15	70
3rd	Hani Abdullah	16	73 ocb
Bronze Division			
Pos.	Winner	H'cap	Score
1st	Siti Azman	21	70
2nd	Siti Zahrah	19	75
3rd	Datin Johariah	25	76 ocb
BallSweeps			
1st Round			
Pos.	Winner	H'Cap	Score
1st	Rosemary Keong	15	32
2nd	Rosmimiee Abbas	17	35
3rd	K. Ederlina	13	36
2nd Round			
Pos.	Winner	H'cap	Score
1st	Noraini Yaacob	13	36
2nd	Datin Rohaya	21	30 ocb
3rd	Kayo Yamamoto	21	30

Inter-Club Match (Away)			
KGNS vs RSGC			
July 28 (Sat), Matchplay (Stableford)			
RSGC	39	KGNS	21
Novelties			
N.T.P.			
Hole No.5 Old Course	RSGC Ng Kien Chuan	3ft 9ins	
	KGNS Hj Nazri	6ft 4ins	
Hole No.12 New Course	RSGC Wong Hung Hung	20ft 5ins	
	KGNS Leow Kam Chiew	11ft 3ins	
N.T.L.			
Hole No.3 Old Course	RSGC Mohd Ali Dewal	On The Line	
	KGNS Ng Hock Seng	1ft 3ins	
Hole No.11 New Course	RSGC Jerry Chong	9ins	
	KGNS Dr. Ismail Hashim	8ins	

Competitions & Results

Inter-Club Match (Home)

KGNS vs KG Sarawak

July 27 (Fri), Matchplay (Stableford)

KGNS	13	KG Sarawak	13		
Overall Winner					
KGNS		Anthony Tan	13	} 46	
		Lau Suk Kong	24		
Winners Pos. Name H'cap Points					
KG Sarawak	1st	Patrick Chieng	13	} 45	
		Dato' Ding Lian Cheon	18		
	2nd	Sylvester Ajah Rueben	14	} 41	
		Lian Chik Ngai	21		
	3rd	Bernard Kiu	14	} 40 ocb	
		Justin Chuo	15		
KGNS	1st	Dato' Zainal Azmi	16	} 46	
		Nasrudin Omar	6		
	2nd	Khoo Boon Lian	13	} 45	
		See Sek Teng	17		
	3rd	Dr. Ismail Hashim	15	} 40	
		Wan Rasdi	23		

President's Trophy – Ladies (Strokeplay)

July 21 (Sat), Putra Course - Morning

Overall Nett

Pos.	Winners	H'cap	Scores
1st	Sylvia Wong Nam Sing	18	69
2nd	Datin Rahmah Arshad	4	70
3rd	Datin Johariah Abd Khalid	25	72 ocb



Inter-Club Match - Ladies (Away)

RSGC vs KGNS

July 27 (Fri), Match Play (Stableford)

RSGC	10	KGNS	14		
Overall Best Pair					
KGNS		Ederlina	15	} 47	
		Datin Johariah	25		
Pos. Club Winners H'cap Points					
Best Pair	RSGC	Anisah Khadari	24	} 44 ocb	
		Beryl Lee	25		
	KGNS	Salehah Othman	25	} 44	
		Datin Rashimah	19		
2nd	RSGC	Fauziah Latiff	18	} 40 ocb	
		Ruby Azizan	24		
	KGNS	Wan Roziah	22	} 40	
		Lee Lay Choo	18		
3rd	RSGC	Tan Ai Leen	19	} 39	
		Gwen Ng	22		
	KGNS	Fauziah Nordin	19	} 40	
		Alyah Tan	13		



Senior Golfers Partnership (Stableford)

Fourball - Bestball

July 12 (Thur), Putra Course - Morning

Pos.	Winners	H'cap	Points
1st	Mohd Yusoh Hashim	12	} 47 ocb
	Mahmud Derani	18	
2nd	Hj. Muhd Zain Muhd Yusof	14	} 47
	Hj. Mohd Sofian Mohd Ali	16	
3rd	Dato' Zaharudin Jaafar	12	} 46 ocb
	Zainal Abidin Ismail	16	



Tan Sri Chong Hon Nyan Trophy (Strokeplay)

Fourball - Bestball

July 8 (Sun), Putra Course - Morning

Pos.	Winners	H'cap	Scores
1st	Datuk Ruslin Hj Hasan	14	} 78 ocb
	Zainal Abidin Ismail	16	
2nd	Dato' Zainal Azmi	16	} 74
	Nasrudin Omar	6	
3rd	Abu Bakar Sulaiman	15	} 66 ocb
	Abdul Rahim Hassan	13	

Kelana Cup 2nd Qualifying Round (Stableford)

July 1 (Sun), Kelana Course - Morning

Pos.	Winners	H'cap	Points
1st	Dato' Khalid Alias	15	43 ocb
2nd	Datin Fauziah Nordin	18	43
3rd	Sandy Nor	20	41



Amendment to Golf Rule 5(v) Course Control

- (a) The Committee shall have control over the courses of the Club and may open or close any or all of them, whether for particular cases of play or for particular occasions or otherwise as the Committee may think fit. In cases of emergencies, the Captain or any Management Committee member or in their absence the General Manager/ Golf Manager may exercise the powers of the Committee.
- (b) Commencement of Play
- (c) All players must register and be verified at the Registration Centre of all particulars including their handicap before commencing play on any of the courses.
 - (ii) The commencement of normal play shall begin only from 1st and the 10th tee at the Putra Course and Kelana Course.
 - (iii) Official tee-off time for the Putra Course is first light but NOT earlier than 6.45 a.m. and only ordinary members shall have priority before 7.30 a.m. on weekdays.
 - (iv) Official tee-off time for the Kelana Course is first light but NOT earlier than 6.45 a.m. on all days. Ordinary members shall have priority before 7.30 a.m.
- (v) **A flight must comprise at least 2 ordinary members, to be allowed to tee-off before 7.30 am on both courses.**
- (vi) Players commencing play on either the Putra Course or the Kelana Course are advised to continue play on the second nine at the same course.
- (vii) Official tee-off times for weekends and public holidays on the Putra Course shall be regulated by the Official Starting Times mentioned below (except approved matches or competitions):

Morning	-	7.30 a.m. to 9.29 a.m.
Afternoon	-	12.00 p.m. to 1.59 p.m.
Evening	-	4.30 p.m. onwards

The above tee-off times may be delayed due to bad weather and consequently all official starting times including those commencing from 4.30 p.m. onwards may be deferred accordingly.

Azaman Razuki, Maintenance Superintendent

// I love this club, the environment, I feel close to the club and I am happy to work here, meeting people. I have no plans to leave the club until my retirement! //



Back in the early 80s, senior members may remember being waited on by an amicable dark curly-haired lanky lad of 20 at the Eagle's Nest. Today, 25 years on, a father of three who hails from Penang, Azaman Razuki continues to serve KGNS but in the capacity of Maintenance Superintendent, a key portfolio in the club's management line-up.

Azaman joined KGNS in 1982, having just left school and whilst undergoing a hotel management and catering course at the National Productivity Centre. With previous experience in the hospitality industry, albeit part-time during school breaks, it was not long before he was promoted to F&B Supervisor and, later, F&B Executive, right up to 1991.

The transition, from menus to maintenance, began thereafter when, under the umbrella department of Housekeeping and the watchful eye of Committee Member/Chairman, Khoo Kay Chye, Azaman headed an auxiliary section formed to take custody of all non-golf equipment and machinery. It was a 6-year stint that paid dividends when he later assumed his current position as Maintenance Superintendent.

Azaman and his team's daily routine begins with an early morning round of inspection and/or trouble-shooting, against a prepared checklist, of all equipment and machinery in operation.

The route covers changing rooms, swimming pool, halfway huts, driving range, clubhouse (i.e. washrooms, offices, Golfers' Terrace and other F&B outlets, etc.) and includes the caddy centre. Daily/weekly briefings monitor equipment/machinery status, from date of purchase to throughout its life cycle, and, where expedient, work orders are duly issued for maintenance or remedial action.

Recalling his quarter century spent here, Azaman takes pride in KGNS' transformation from then to now, e.g. new buildings, improved services, increased membership, although he laments the "lack of facilities for the young and for family-type activities". As to why he has stayed all these years, he explains, "I love this club, the environment, I feel close to the club and I am happy to work here, meeting people. I have no plans to leave the club until my retirement!"

For Azaman, the future of KGNS is full of promise, of new/ further development which includes beautification and upgrading works, of improved/added amenities and, therefore, increased patronage by members and their families. He looks forward to a grander KGNS in the ensuing years; in the meantime, there is the present to account for, though he confesses to being a little "uneasy when we don't hear complaints from members!"

Chauffeur Driven Cars

Numerous complaints have been received from members regarding the attitude of chauffeurs within the Club compound as well as, incidences of chauffeurs becoming aggressive and rude when instructed by our security staff to park in proper places and not to loiter. The common excuse offered is that their employers insist on them waiting in the cars at non-designated areas.

We would remind members that (a) their chauffeur-driven cars are to be parked in the designated area and that (b) their chauffeurs are to wait in the caddy cafeteria after parking their cars and not to loiter in the car park or elsewhere.

We would like to appeal to our members to ensure that their chauffeurs/drivers comply with our Club's Bye-Laws and Regulations, failing which the respective members will be held accountable. Your co-operation is greatly appreciated.

No More Signing at Royal Perak Golf Club

Members please take note that the Royal Perak Golf Club Berhad (formerly Kelab Diraja Perak) does not allow any signing facilities due to a change in management. Payment must be made using coupons or credit card (MasterCard/VISA).

Tee Shots

- Members' children who are 18 years and above and are NOT Junior members may apply to the Management Committee for permission to continue using the club's facilities until the age of 21.
- How low can you go? What is your personal best, a course record for you, that is, on a particular day or in an event? Keep us informed as we at Berita Subang would like to know and, in turn, let others in on it! For example, at the TSM Challenge on 07/07/07 Hisham returned a 68 and is looking to better that!



Obituary



Name
Mejj Jen (B)
Dato' Mohd Ali Dollah
(M404)
Passed
August 8, 2007
Member Since
June 1, 1979



Name
Boon Oon Leong
(B041)
Passed
August 1, 2007
Member Since
February 24, 1972



Name
Ibrahim B. Hj. Hassan
(I135)
Passed
July 10, 2007
Member Since
August 1, 1987



Name
Vong Poh Fah
(V049)
Passed
May 25, 2007
Member Since
June 1, 2001



Club Directory

RECEPTION

Telephone : 03-7876 0388
 General Fax : 03-7875 5267
 Golf Dept. Fax : 03-7874 9796
 Email : kgns@tm.net.my
 Website : www.subanggolf.com

ADMINISTRATIVE OFFICE

Gen. Manager : Ext. 49
 Deputy GM/Admin
 Manager : Ext. 12
 Membership : Ext. 16 & 20
 Accounts : Ext. 21 & 79
 F&B : Ext. 70 & 71
 Golf : Ext. 61 & 62

Recreation Activities (Lessons)

Day	Activities	Time
Mon	Latin Ballroom Dance (MPH)	7.00 p.m. - 8.00 p.m.
Tue	Line dance (MPH)	9.00 a.m. - 11.00 a.m.
	Cardio Lines (MPH)	2.00 p.m. - 3.00 p.m.
	Tai Chi (MPH)	7.00 p.m. - 9.00 p.m.
	Latin American - Beginners (MPH)	7.00 p.m. - 8.00 p.m.
Wed	Aerobic (GYM)	3.00 p.m. - 4.00 p.m.
	Latin Ballroom Dance (MPH)	7.30 p.m. - 8.30 p.m.
	Line Dance (MPH)	8.45 p.m. - 9.45 p.m.
Thu	Tai Chi (MPH)	7.00 p.m. - 9.00 p.m.
	Ballroom Latin Dance (MPH)	8.00 p.m. - 10.00 p.m.
Fri	Yoga (MPH)	9.30 a.m. - 10.30 a.m.
	Cardio Lines (MPH)	10.30 a.m. - 11.30 p.m.
	Line Dance (MPH)	3.00 p.m. - 4.00 p.m.
	Line Dance - Beginners (MPH)	6.00 p.m. - 7.00 p.m.
	Latin Ballroom Dance (MPH)	7.00 p.m. - 8.00 p.m.
Sat	Line Dance (MPH)	1.00 p.m. - 3.00 p.m.
	Aerobic (GYM)	2.30 p.m. - 3.30 p.m.
	Swimming (Main Pool)	5.00 p.m. - 5.45 p.m.
Sun	Tennis (Tennis Court)	8.00 a.m. - 10.00 a.m.
	Latin Ballroom Dance (MPH)	10.00 a.m. - 11.00 a.m.
	Line Dance - Beginners (MPH)	2.00 p.m. - 3.00 p.m.
	Latin American - Kids (MPH)	3.00 p.m. - 4.00 p.m.
	Swimming (Main Pool)	4.30 p.m. - 7.00 p.m.
	Tae-Kwon-Do (MPH)	4.00 p.m. - 7.00 p.m.

Golf Facilities

Golfing Reception - Open Daily

Booking Procedures - Open Daily

- A member is allowed to sign-in a maximum of 3 guests
- Bookings are accepted on day of play only
Fees (inclusive of 5% Govt. Tax)

Guests introduced by members:

Putra Course & Kelana Course (18 holes)

- RM126.00 (weekdays)
- RM189.00 (weekends/public holidays)

For an additional 9 holes, the charge is 50% off the above rates.

Members of Senior Golfers Society of Malaysia:
 Weekdays before noon – 50% off the above rates.
 Green fees for 9 holes after 4.00 p.m. is 50% off the above rates.

Recreation Facilities

GYMNASIUM (No guests allowed)

Opens - 6.30 a.m to 10.00 p.m.

The gym is closed from 6.30 a.m. to 2.00 p.m. for maintenance every first Monday of the month.

SQUASH COURTS

Opens - 6.30 a.m to 10.00 p.m.

Guest fee : RM5.00 per person

SNOOKER

Opens - 12.00 noon to 10.00 p.m.

CARD ROOM

Opens - 12.00 noon to 10.00 p.m.

SWIMMING

Pool opens - 7.00 a.m. to 9.00 p.m. daily

Guest fee : RM5.00 per person

Swimming Lessons

(45-minute sessions per week x 4 per month)

Fees for Lesson: Child - RM40.00
 Adult - RM65.00

Swimming Coach: Mr. Cheng Heng Jui
 Contact No.: 03-7983 2503 (Mon-Fri)
 019-226 7909

For Weekend and Public Holiday golf

Bookings for weekend and public holiday golf can be made from the Sunday prior to the weekend, or public holiday, beginning at 6.45 a.m. Bookings must be made personally by members.

Only 1 guest is allowed per member and bookings are limited to 10 guests per nine.

GOLF PRACTICE RANGE

Operating Hours : 7.00 a.m. to 10.00 p.m.

Practice balls – 7 cents each

Guest introduction fee – RM10.00

GOLF LESSONS

Junior Clinic on Sundays from 9.30 a.m. to 11.30 a.m. at the Driving Range (RM30.00 per person/ per month inclusive of practice balls)

FOR OTHER GOLF LESSONS PLEASE CHECK WITH THE GOLF DEPARTMENT.

CADDY FEES

	9 holes	18 holes
1 st Class	RM15.00	RM30.00
2 nd Class	RM12.50	RM25.00

The competition rate of RM35.00 for all classes is inclusive of tips.

Tips for normal play and club competitions are not compulsory and are at the discretion of members but should not exceed the respective caddy fees.

BUGGIES (including 5% Govt. Tax)

Hours: 6.45 a.m. – 8.00 p.m. daily

Rental:	(18 holes)	(9 holes)
Weekdays	RM42.00	RM21.00
Weekends & P. Holidays	RM47.25	RM23.63

Senior Golfer: 10% discount

Use of buggies is subject to ground conditions

AEROBICS

Fee : Once a week – RM60.00
: Twice a week – RM80.00

Attire : Suitable sports attire & shoes

Contact Person : Ms. Ambika

Contact No. : 016-680 6814

DANCESPORT

Line Dance

Fee : Special package of RM120.00 for beginners for a 3-month course.

Instructress : Ms. Rozalynn / Alycia Long

Contact No. : 012-200 0234/012-392 9133

Ballroom Latin Dance

Fee : Special package of RM120.00 for beginners for a 3-month course

Instructor : Mr. Eric Tan / Ms. Lynn

Contact No. : 012-321 2083

YOGA

Venue : Aerobics Room

Days/Time : Every Friday - 9.30 a.m. to 10.30 a.m.

Fee : RM60.00 per month (1 session per week)
: RM150 (3 month package
- 1 session per week)

Instructress : Ms. Kathy

Contact No. : 012- 287 9692

TAI CHI CLASS

Venue : Multi-Purpose Hall

Days/Time : Tue & Thu / 7.00 p.m. – 8.00 p.m.

Fee : RM30 per month (8 times a month)

Instructor : Mr. Patrick Chong - 019-215 2863

TAE-KWAN-DO

Venue : Multi-Purpose Hall

Day/Time : Sundays - 4.00 p.m. to 5.00 p.m.

Fee : RM30.00 per month

Instructor : Mr. Low Koon Lin - 03-7876 4370

TENNIS

Opens : 6.30 a.m to 10.00 p.m.

Member's guest fee RM5.00 per person

Junior Coaching Programme (6 – 16 years old)

Sat. & Sun. : 8.00 a.m. to 10.00 a.m. or

: 10.00 a.m. to 12.00 noon

Fee : RM100.00 (4 days per
2 hour/session)

Adults Coaching Programme

(by appointment only)

Fee : RM50.00 per hour (individual)

: RM70.00 per hour (2 persons)

Instructor : Mr. Ong Chit Lai

Contact No. : 019-213 1588

Please give ONE MONTH'S WRITTEN NOTICE IN ADVANCE to the coach and accounts department should you wish to terminate all lessons. The coach has to submit claims (to debit your account) by the first week of the month. All rates are subjected to Government Service Tax and change without prior notice.

Domestic Golf Clubs

Kelab Golf Putra

P.O. Box 6, 01700 Kangar, Perlis.
Tel : 04-976 9660
Fax : 04-976 9660

Kelab Kedah Darul Aman DiRaja

Bandar Darulaman, P.O. Box 24, 06007 Jitra, Kedah
Telephone: 04-917 0001
Fax: 04-917 7890

Email: dgrb@tm.net.my

Home Page: www.darulamanrealty.com.my/DGCR.htm

Darulaman Golf & Country Club

Bandar Darulaman, Jitra, Kedah Darul Aman.
Tel : 04-9170 001

Fax : 04-9177 890

Penang Turf Club Golf Section

Jalan Batu Gantong, 10450 Penang.

Tel : 04-226 6701

Fax : 04-226 6535

Kelab Golf DiRaja Perak

Jalan Sultan Azlan Shah, 31400, Ipoh, Perak.
Tel : 05-547 3266 / 05-545 3266

Fax : 05-547 6688

Seremban International Golf Club

3rd Mile, Jalan Kuala Pilah, P.O. Box 88, 70710, Seremban, Negeri Sembilan.

Tel : 06-677 5787 / 06-677 5722

Fax : 06-677 2309

Ayer Keroh Country Club

Km 14.5, Jalan Ayer Keroh,
P.O. Box 232., 75750 Malacca,
Tel: 06-233 2000 / 06-233 2001

Fax: 06-232 3578

Email: akccb@pd.jaring.my

Home Page: www.akcc.com.my

Royal Johor Country Club

No. 3211 Jalan Larkin, 80200 Johor Bahru.

Tel : 07-223 9130 / 07-223 3322

Fax : 07-224 0729

Kelantan Golf & Country Club

5488 Jalan Hospital, 15200 Kota Bahru, Kelantan.

Tel : 09-748 2102

Fax : 09-747 2918

Kelab Golf DiRaja Pahang

P.O. Box 53, 25700 Kuantan, Pahang.

Tel : 09-567 5811

Fax : 09-567 1170

Kinabalu Golf Club

P. O. Box 10654,88807 Kota Kinabalu, Sabah

Tel:088-251615 / 234904 / 263162

Fax: 088 - 240166 / 232162

Email: kgcgolf@streamyx.com

Home Page: www.borneo-online.com.my/kgc

Sabah Golf & Country Club

Reservoir Road Bukit Padang,

P.O. Box 11876, 88820 Kota Kinabalu, Sabah.

Tel: 088-247533

Fax: 088-225243

Sandakan Golf & Country Club

P.O. Box 541, 90706 Sandakan, Sabah.

Tel : 089-660557

Fax : 089-660584

Kelab Golf Kudat

Jalan Urusetia Kudat,

W. D. T. 18, 89059 Kudat, Sabah.

Tel: 088-611002 Fax: 088-611003

Email: kgkdt@pd.jaring.my

Miri Golf Club

P.O. Box 101, 98107 Lutong, Sarawak.

Tel : 085-416787

Fax : 085-417848

Kelab Golf Sarawak

Petra Jaya, 93050 Kuching, Sarawak

Tel: 082-440 966, 082-443 398

Fax: 082-441 733, 082-311 935

Email: info@kgswak.com

Home Page: www.kgswak.com

International Golf Clubs

Western Australian Golf Club

Hayes Avenue, Mount Yokine, Perth, WA 6060, Australia

Telephone: +61 8 9349 1988

Fax: +61 8 9344 4424

Email: admin@wagolfclub.com.au

Home Page: www.wagolfclub.com.au

Lake Karrynup Golf Club

North Beach Rd, PO Box 83, Karrynup WA 6018

Telephone: +61 8 9422 8222

Fax: +61 8 9422 8282

Email: info@lkcc.com.au

Home Page: www.lkcc.com.au

Waverly Golf Club Ltd

82 Bergins Road,, Rowville, VIC 3178,, Melbourne, Australia

Telephone: +61 3 9764 5144

Fax: +61 3 9764 3044

Email: manager@waverleygolfclub.com.au

Home Page: www.waverleygolfclub.com.au

The Grange Golf Club

2 Grange Road, Papatoetoe, Auckland, New Zealand

Telephone: +64 9 278 9777

Fax: +64 9 278 6017

Email: damian@grangegolfclub.co.nz

Home Page: www.grangegolfclub.co.nz

Mount Maunganui Golf Club (Inc)

15 Fairway Avenue, Mount Maunganui 3030, New Zealand

Telephone: +64 (07) 575 3889

Fax: +64 (07) 572 0341

Email: n.a

Home Page: www.mountmaunganui.nzgolf.net

Pantai Mentiri Golf Club

KM 15 , Jalan Kota Batu, P.S. 1646, Bandar Seri Begawan 1916,

Negara Brunei Darussalam

Telephone: +67 3 279 1021 / +67 3 279 2014

Fax: +67 3 279 0773

Email: infodesk@pantaimentirigolfclub.com

Home Page: www.pantaimentirigolfclub.com

The Hong Kong Golf Club

P. O. Box 1, Shek Wu Hui Post Office, New Territories, Hong Kong

Telephone: +85 2 2670 1211 (Fanling) +85 2 2812 7070 (Deep Water Bay)

Fax: +85 2 2679 5183 (Fanling) +85 2 2812 7111 (Deep Water Bay)

Email: enquiry@hkgolfclub.org

Home Page: www.hkgolfclub.org

Clearwater Bay Golf & Country Club

139 Tai Au Mun Road , Clearwater Bay, New Territories, Hong Kong

Telephone: +85 2 2335 3888

Fax: +85 2 2719 4102

Email: golf@cwbgolf.org

Home Page: www.cwbgolf.org

Jakarta Golf Club

Jalan Rawamangun, Jakarta, Indonesia

Telephone: +62 21 489 5107 /+62 21 489 0009

Fax: +62 21 489 1208

Jagorawi Golf & Country Club

PO Box 48/CBI, Cibinong - Bogor, West Java, Indonesia

Telephone: +62 21 875 3810 -15

Fax: +62 21 875 3806 - 07

Email: jagorawi@cbn.net.id

Home Page: www.jagorawi.com

Bukit Darmo Golf

Jalan Bukit Darmo Golf Blok G-2, Surabaya 60226, East Java, Indonesia

Telephone: +62 31 732 5555

Fax: +62 31 731 6666

Email: bdgsby@bukitdarmogolf.com

Home Page: www.bukitdarmogolf.com

Valley Golf & Country Club

Antipolo 1870, Rizal Philippines, P.O. Box 706, Manila, Philippines

Telephone: 6658565- 7

Fax: 6651640

Baguio Country Club

P.O. Box 8, South Drive, Baguio City 2600, Phillipines

Telephone: (63-74) 619-2050 to 64 Fax: (63-74) 442-6501 / 442-7674

Email: baguiocountryclub@philwebinc.com

Home Page: www.baguiocountryclub.com.ph

Keppel Club

Bukit Chermín Road, Singapore 109918

Telephone: (65) 6375 5569 to 71

Fax: (65) 6278 1448

Email: desmond@keppelclub.com.sg

Home Page: www.keppelclub.com.sg

Singapore Island Country Club

180 Island Club Road , Singapore 578774

Telephone: (65) 6459 2222 (Island), (65) 6466 2244 (Bukit)

Fax: (65) 6458 3796 (Island), (65) 6466 9709 (Bukit)

Email: enquiry@sicc.org.sg

Home Page: www.sicc.org.sg

Jurong Country Club

9 Science Centre Road, Singapore 609078

Telephone: (65) 6560 5655

Fax: (65) 6567 1900

Email: enquiry@jcc.org.sg

Home Page: www.jcc.org.sg

The Royal Bangkok Sports Club

1 Henri Dunant Street

Pathumwan Bangkok 10330, Thailand

Telephone: (662) 0 2652-5000-14, 0 2255-1420-7

Fax: (662) 0 2255-4158

Email: sportsclub@rbsc.org

Home Page: www.rbsc.org

Lakewood Golf Club

South Mountain Jin Ding, Zhuhai, China

Telephone: +86 (756) 338-3666

Fax: +86 (756) 339-3898

Email: membership@lakewoodclub.com

Home Page: www.lakewoodclub.com

Song Be Golf Resort

77 Binh Duong Boulevard, Lai Thieu Townlet, Thuan An District,

Binh Duong Province, S. R. of Vietnam

Tel: 84-0650-755802/3 Fax: 84-0650-755804 Email: info@songbegolf.com

Website: www.songbegolf.com Home Page: www.lakewoodclub.com